

PS2385

Total Power	50 Watts
Input Voltage	90-264 VAC
Output	One

SPECIAL FEATURES

- Wide input voltage
- IEEE C62.41 category C (overvoltage class C environments)
- Hybrid surge suppression
- Line filters
- EN55022 Class B EMI
- Gas discharge tubes/spark gaps
- MOV's
- CC Class dual fusing
- Designed for harsh environment
- - 20°C to +70°C operating temperature
- EN60950 and UL 1449 compliant
- Water tight connectors and enclosure

ENVIRONMENTAL

Ambient Operating Temperature: - 20 to +70°C continuous duty, full rating.

Humidity: Up to 95% non-condensing

Temperature coefficient: $\pm 0.01\%$ / °C

Storage Temperature: -40° to +85°C

Cooling: Convection cooled



ELECTRICAL SPECIFICATIONS

Input

Input.....90 - 264 VAC; 50-60Hz;

Inrush Current (264 Vac).....<30 Amps peak
Isolation.....4242VDC (Input to Output)

Susceptibility specifications:

Complies with EN55022 & FCC Class B with minimum 6 dB margin

Efficiency.....> 75% typical at full load

Output

DC Output.....Maximum continuous output power
50 Watts. See Voltage/Current Rating Chart.

Line / Load Regulation... ..3%

Ripple and Noise < 1% typical

Transient Response...2% Maximum deviation

MECHANICAL

8.76" L X 5.76" H X 3.25" W
(222.6 mm X 146.3 mm X 82.6 mm)

Input connector: Molex P/N 84641-0011

Output connector: LTWCD-09PMPS-LC

Status signals and Indicators:

Active Low

Open Drain

AC Fail

Output

Over voltage protection 130% (Hiccup)

Over current protection 130% (Hiccup)

Over temperature protection reset with hysteresis

Short Circuit Protection.....Will withstand a continuous short without damage.

Minimum Load Rqmt.....See Voltage/Current chart.

No Load Operation.....No damage to supply when operating at no load.

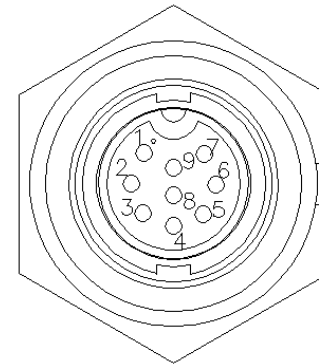
Hold-Up Time.....10 mSec typical

Voltage/Current Rating Chart

Voltage	Current Minimum	Current Maximum
12V	0	4.2A

OUTPUT CONNECTOR PIN ASSIGNMENT

Description	PIN
NC	3,8,5,9
12V	1,2
12V RTN	6,7
AC-OK	4



Power For The New Technology

